

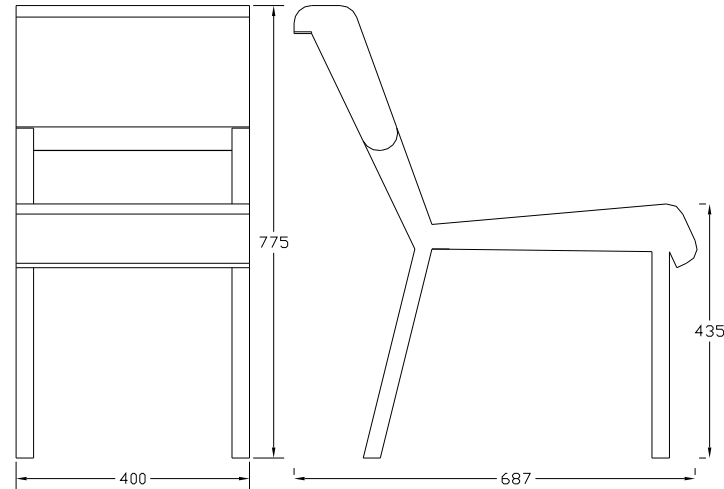
Herdecker Straße 26  
58453 Witten (Germany)  
T. +49 (0)2302/2027628 F. +49 (0)2302/61309  
[info@neo-studios.de](mailto:info@neo-studios.de)

Rodrigo Vairinhos  
(Dipl. Industrial Designer)  
T. +49 (0)2302/699775  
M. +49 (0)176/20993904

Bernd Colditz  
(Administrator)  
T. +49 (0)2302/690982  
M. +49 (0)176/20993788



## dragme



### Sample colors



White  
RAL 9016



Light-green  
RAL 6027



Light-gray  
RAL 7035



Black  
RAL 9017



Beech wood



Strawberry red  
RAL 3018



Greybeige  
RAL 1019



Yellowzinc  
RAL 1018



Pastel-orange  
RAL 2003



Light-blue  
RAL 5012



Blue-lilac  
RAL 4005



Erika-violet  
RAL 4003



Raspberryred  
RAL 3027



Braunbeige  
RAL 1011



Greenship  
RAL 6017



Maigruen  
RAL 6017



Light-green  
RAL 6019



Yellowgreen  
6018

Design: Rodrigo Vairinhos, 2006  
Material: Beech wood  
Multifunctional chair for indoor  
Natural wood in combination with lacquer colors  
Colors as suggested on the picture or by request.

Herdecker Straße 26  
58453 Witten (Germany)  
T. +49 (0)2302/2027628 F. +49 (0)2302/61309  
[info@neo-studios.de](mailto:info@neo-studios.de)

Rodrigo Vairinhos  
(Dipl. Industrial Designer)  
T. +49 (0)2302/699775  
M. +49 (0)176/20993904

Bernd Colditz  
(Administrator)  
T. +49 (0)2302/690982  
M. +49 (0)176/20993788



# dragme

---

One of the most important details related to the concept of this equipment goes to the back of the chair, making possible to drag easily and comfortably this object when pulling it back, for example, when seated at a table. The design of the backs also works as armrest, permitting the user to lean his arm over this surface.

The frontal seating area is also user friendly because its comfortable shape follows the user legs position in order to avoid some muscular aches when seating too long. The material selected is beech wood with natural wood colour finish and lacquered segments (top seating surface and integral backs surface).

*Besonderes Charakteristikum dieses Stuhls sind Sitzfläche und Rückteil. Der Stuhl ist außerordentlich bequem, lässt sich durch eine Griffmulde in der Rücklehne ziehen. Die Rücklehne ist aufgrund der Breite je nach Sitzposition auch zum Aufstützen des Arms nutzbar. Die Sitzflächenabrundung sorgt für komfortables Sitzen.*

*Der Stuhl ist aus Buche natur gefertigt. Sitzfläche und Rückenteil sind farbig lackiert.*

Um dos detalhes mais importantes relacionados com o conceito deste producto está relacionado com as costas da cadeira, possibilitando o usuário a arrastar facilmente e de forma confortável o equipamento, quando empurrado para trás, por exemplo, quando o usuário se pretende sentar à mesa.

O design das costas funciona de igual forma como encosto para o braço, permitindo posicionar o braço sobre a sua ampla superfície.

A área correspondente ao tampo é de igual forma ergonómica devido ao seu ângulo confortável, o que faz com que as pernas se posicionem de forma optimal, evitando dores musculares quando permanecendo durante muito tempo sentado.

O material seleccionado é a madeira de faia em cor natural combinada com segmentos de cor lacados (Tampo e costas).